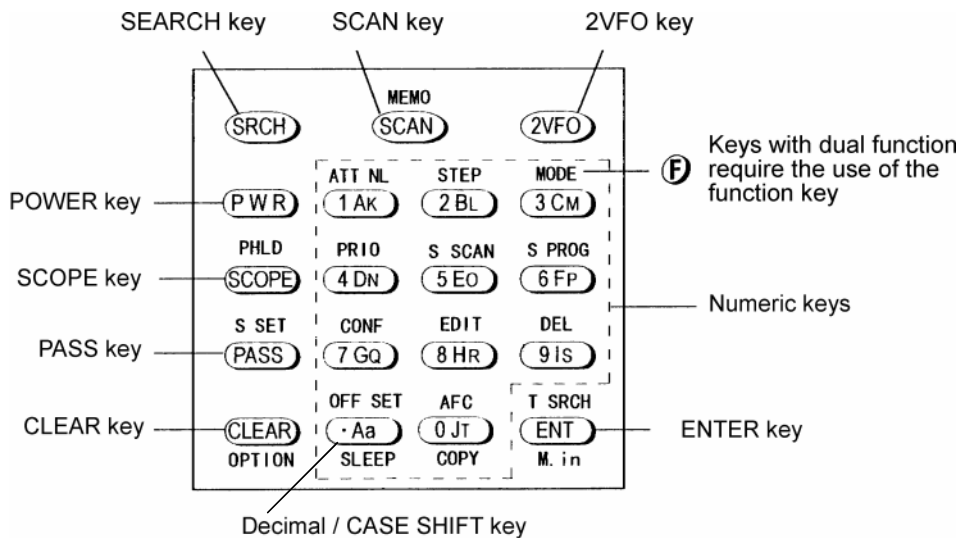




Due to continuous development of our products, the AR8200 has evolved into the Mk2 and Mk3 versions. As a result, operation differs from the original AR8200 in a few areas, please note the following changes to the AR8200 operating manual:

1 The front 'ten-key' keypad has been rearranged in line with customer requests placing the '0' zero key underneath the '8' eight key, as is standard practice with push button telephones. On page 9 section 1-5-1 of the English language operating manual, the graphic should now look like (the revised keypad has been used on the Mk3 and Mk2 versions):



2 The Mk3 and Mk2 versions feature a built-in TCXO (Temperature Controlled Crystal Oscillator) in place of the reference crystal. This ensures the best levels of frequency stability and minimum spuri.

3 In place of the previous rubber covered aerial, a telescopic whip on a swivel base is supplied (Mk3 and Mk2 versions). The whip provides the very best performance, especially on the VHF bands with the ability to adjust the length of the telescopic whip aerial to 'peak' received signal strength (the higher the frequency, the shorter the aerial). An alternative flexible smaller whip aerial is available as an option where durability and smaller size is important. Please refer to page 7 section 1-4 of the English language operating manual, line two of the table should now read "telescopic whip aerial".

4 The relationship between level squelch and signal meter has been revised. This affects VFO SEARCH LEVEL SQUELCH (page 47 section 4-4-3 of the English language operating manual), SCAN LEVEL SQUELCH (page 68 section 7-8-2 of the English language operating manual) and PROGRAM SEARCH LEVEL SQUELCH (page 84 section 8-7-2 of the English language operating manual).

In each case, the following table replaces that previously employed:

	1	2	3	4	5	6	7	8	9	10	11	12	13	14
Mk2	8	13	18	24	29	35	39	44	50	55	58	62	71	77
Mk3	7	15	18	24	28	31	42	50	59	64	72	80	85	89

As a result, the typical level at which the "★" legend will be extinguished has changed.

5 The batteries supplied with the AR8200 have been changed. To ensure that a completely full charge is established, please assume the full charge time as follows, this replaces the reference given on page 19 section 1-6-4 of the English language operating manual.

AR8200	NiCads, 700mAh	12 hour charge
Mk2	NiCads, 1000mAh	14 hour charge
Mk3	NiMH, 1500mAh	22 hour charge

SEE OVER >>>

The AR8200 receiver employs standard 'AA' size batteries, so a range of different types can be used (NiCad, NiMH, alkaline etc). For this reason, the charging circuit cannot be optimised for any one specific type. It is most important that you do not over-charge the batteries and do not keep topping them up without first running them down. If the batteries are flat, do not attempt to 'charge and operate' the radio for the first hour of charging, this would lead to an increase in internal heat generated by the AR8200. Do not connect an external power supply, mobile power lead or charger if dry / alkaline batteries are fitted.

In order to provide the optimum level of charge and life-span from the NiMH batteries (Nickel Metal Hydride) supplied with the Mk3, **use of a specialist dedicated external battery charger is recommended**, they are readily available from electrical suppliers. The AR8200 is not designed to charge rechargeable alkaline batteries.

6 The design of the battery compartment and compartment cover has been revised to assist the easy replacement of batteries (Mk3 and Mk2), refer to page 16 section 1-6-1 of the English language operating manual. The cabinet colour of the AR8200 was green, the Mk3 and Mk2 cabinet is black.

7 The operation of LCD/keypad illumination has been revised in the Mk3 version, refer to page 106 section 14-2 of the English language operating manual. When operating from internal batteries with AUTO LAMP selected, the illumination will activate for a few seconds when the squelch first opens. This is very useful for identifying transmission at night-time without using up excessive power from the batteries.

8 The frequency coverage of the Mk3 version has been extended to 3GHz, the specified range is now 530kHz to 3GHz with actual minimum frequency input of 100kHz.

9 Refer to the following specification for the Mk3 version which replaces that printed on page 140 of the English language operating manual:

Frequency Range:	530 kHz to 3000 MHz (3GHz)* * Cell blocked in the USA for FCC rules	
Receive Modes:	WFM, NFM, SFM, WAM, AM, NAM, USB, LSB, CW	
Sensitivity:	500 kHz ~ 1.9 MHz	AM: 3.5 μ V (10dB S/N)
	1.9 MHz ~ 30 MHz	AM: 2.5 μ V (10dB S/N)
	30 MHz ~ 470 MHz	AM: 1.5 μ V (10dB S/N) NFM: 0.85 μ V (12dB SINAD) WFM: 1.5 μ V (12dB SINAD)
	470 MHz ~ 1040 MHz	NFM: 0.9 μ V (12dB SINAD)
	1040MHz ~ 2040 MHz	NFM: 9.0 μ V (12dB SINAD)
	2040 MHz ~ 3000 MHz	NFM: 25 μ V (12dB SINAD)
Selectivity:	SSB/NAM	3kHz (-6dB) / 9kHz (-40dB)
	AM/SFM	9kHz (-6dB) / 20kHz (-40dB)
	WAM/NFM	12kHz (-6dB) / 25kHz (-40dB)
	WFM	150kHz (-3dB) / 360kHz (-20dB)
Aerial input:	BNC nominal 50 OHM	
Audio output:	120mW (8 OHM) THD 10%	
Input voltage:	9 ~ 16V DC	
Power Consumption:	190mA (nominal)	
Operating temperature:	-5°C to +50°C	
Dimensions:	61(W) x 143(H) x 39(D) mm approx excluding projections	
Weight:	340 g approx including batteries and aerial	

Specifications subject to change without notice due to continuous development of the receiver. E&OE.